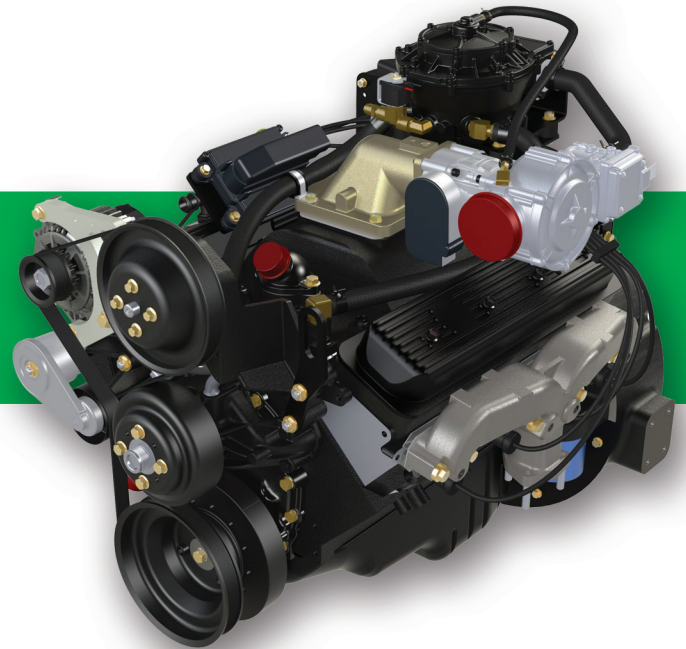




5.7L INDUSTRIAL MOBILE

163 hp / 321 ft-lbs (LPG)



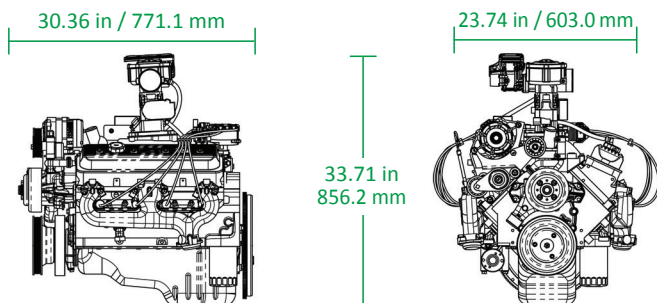
PSI's Industrial Mobile 5.7-liter engine is a fuel-flexible power unit that is a fully integrated drop-in solution, delivering uncompromised power performance and maximum fuel efficiency.

Superior engine performance is driven by an ECU that integrates and coordinates all critical functions including: governor, variable ignition timing, air-fuel ratio control, knock suppression and engine protection. All PSI engines feature the same fuel systems and controls, simplifying application development and support.

PSI has been a leader in the design, engineering and manufacture of efficient, high-performance power systems, providing integrated turnkey solutions to top global OEMs for nearly 30 years. Our products are used worldwide in pump jacks, power generators, forklifts, aerial lifts and industrial sweepers, as well as in oil and gas, aircraft ground support, agricultural and construction equipment.

GENERAL DATA

- 1) Fuel options: LPG, NG
- 2) ECM utilizing state-of-the-art hybrid technology and related hardware to optimize fuel and spark requirements
- 3) SAE 3-flywheel housing (cast iron) and flywheels
- 4) Custom-made flywheels for numerous applications
- 5) Cooling fans
- 6) Radiator & complete cooling systems
- 7) Dry-type industrial air cleaners (safety element available)
- 8) Electronic governor system available
- 9) Extended oil sump
- 10) Remote oil filter and auxiliary oil drain
- 11) Metal engine skid
- 12) 95A alternator option / 70A alternator standard



FEATURES

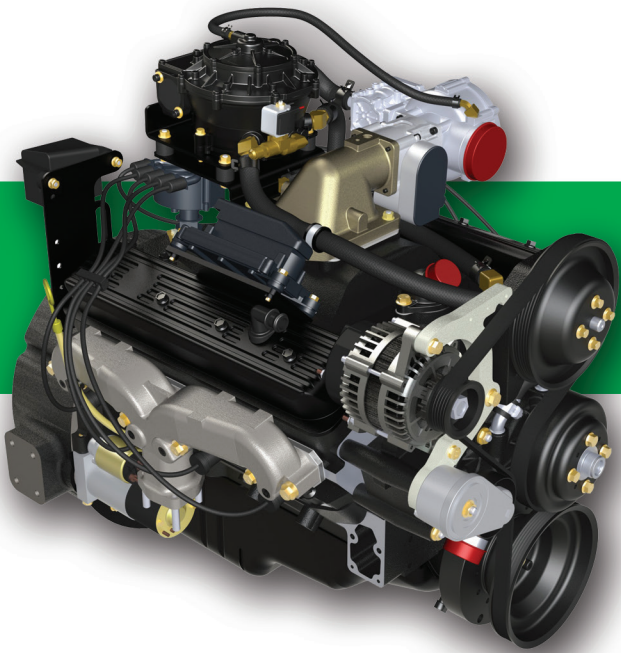
- High-flow cylinder head with straighter intake ports and optimum compression ratio delivers impressive horsepower
- Increased cooling around hardened exhaust-valve seats for added durability
- Roller valve lifters for reduced friction and improved fuel economy
- Composite front timing cover for noise reduction and corrosion protection
- Valvetrain features advanced-design silent timing chain for added durability
- Positive inlet valve stem seals for reduced oil consumption
- High Energy Ignition (HEI) distributor and coil standard
- Common rear face to GM Powertrain industrial engines for easy hookup with housing

PSI 5.7-LITER LPG ENGINE DATA

Cylinders	8
Induction system	Naturally aspirated
Combustion system	Spark-ignited
Cooling system	Water-cooled
Displacement	350 cid (5,736.5 cc)
Compression ratio	9.4:1
Bore & Stroke	4.00 in x 3.48 in (101.6 mm x 88.4 mm)
Peak Power	163 hp (121.55 kw) @3000 rpm
Peak Torque	321 ft-lb (435.22 N-m) @1600 rpm
Fuel Type	Propane
Direction of rotation	Counter-clockwise viewed on flywheel
Dimensions – Length	30.36 in (771.1 mm)
Width	23.74 in (603.0 mm)
Height	33.71 in (856.2 mm)
Dry Weight	432 lb (196 kg)



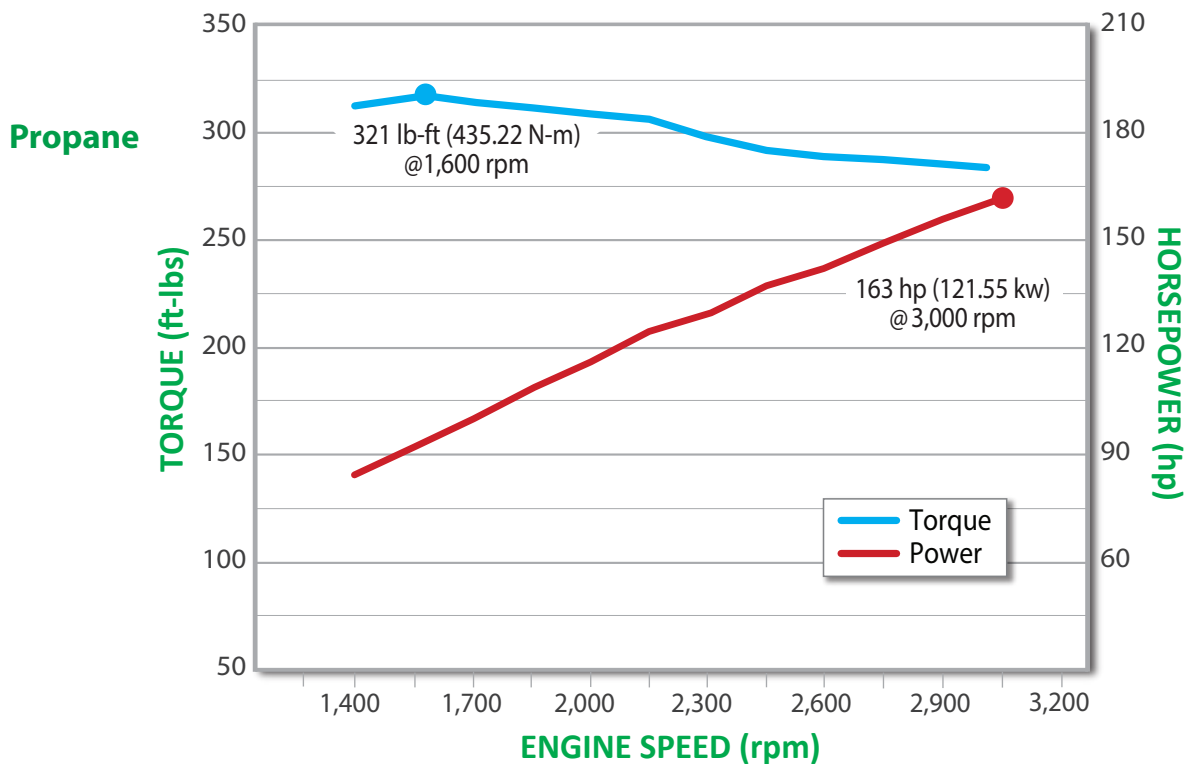
**POWER SOLUTIONS
INTERNATIONAL**



5.7L INDUSTRIAL MOBILE

163 hp / 321 ft-lbs (LPG)

TORQUE & POWER CURVES



POWERING A GREENER FUTURE

Power Solutions International 201 Mittel Drive, Wood Dale, IL 60191
T: 630-350-9400 • F: 630-350-9900 • psiengines.com