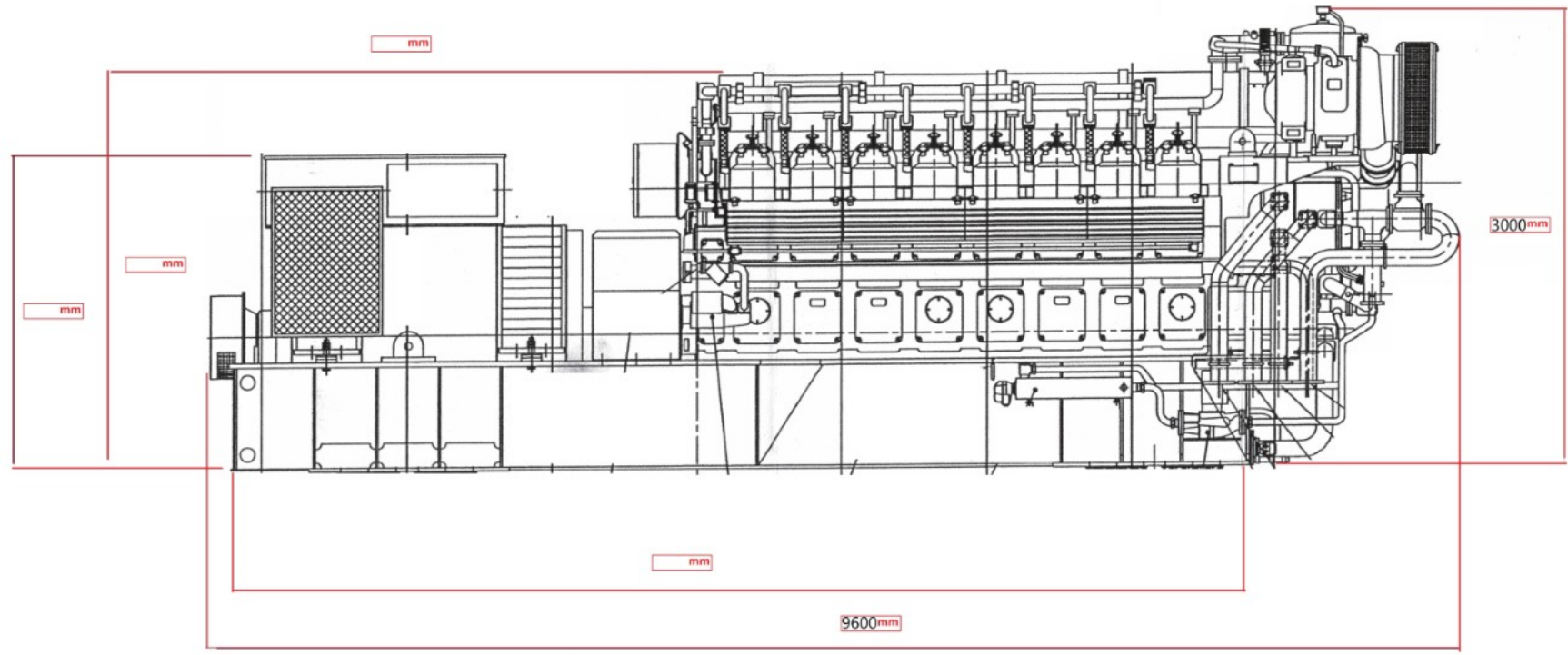


Wartsila 16V25SG

Decking		Substructure		Other	
Decking	Substructure	Other	Decking	Substructure	Other



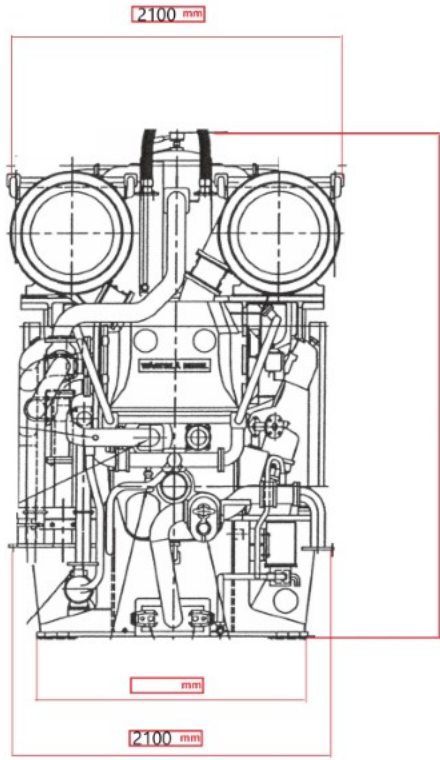
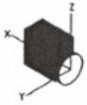
The drawings are for reference only. They are not to be used for manufacturing. The drawings are for reference only. They are not to be used for manufacturing. The drawings are for reference only. They are not to be used for manufacturing.

The drawings are for reference only. They are not to be used for manufacturing. The drawings are for reference only. They are not to be used for manufacturing. The drawings are for reference only. They are not to be used for manufacturing.

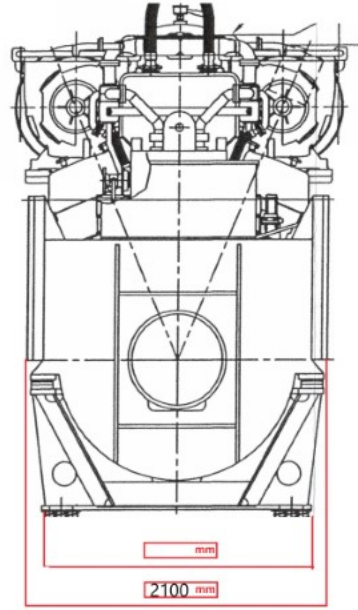


H G F E D C B A

Scale	1:1	Scale	1:1	Scale	1:1
Sheet		Sheet		Sheet	
Title			Description of drawing		
Date			Rev.		



FRONT VIEW



END VIEW

The data supplied in this drawing is the property of Wärtsilä AB.
 It is not to be used for other than the purpose for which it was
 supplied. It is not to be reproduced or transmitted in any form or
 by any means, electronic, mechanical, photocopying, recording, or
 by any information storage and retrieval system, without the prior
 written permission of Wärtsilä AB.

The data supplied in this drawing is the property of Wärtsilä AB.
 It is not to be used for other than the purpose for which it was
 supplied. It is not to be reproduced or transmitted in any form or
 by any means, electronic, mechanical, photocopying, recording, or
 by any information storage and retrieval system, without the prior
 written permission of Wärtsilä AB.



H G F E D C B A